

PRODUCT INFORMATION PACKET

Model No: 449THFS8047

Catalog No: Y532

300 HP Variable Speed Motor, 3 phase, 1800 RPM, 460 V, 449T Frame, TEBC
2000:1 With Encoder Provision Motors





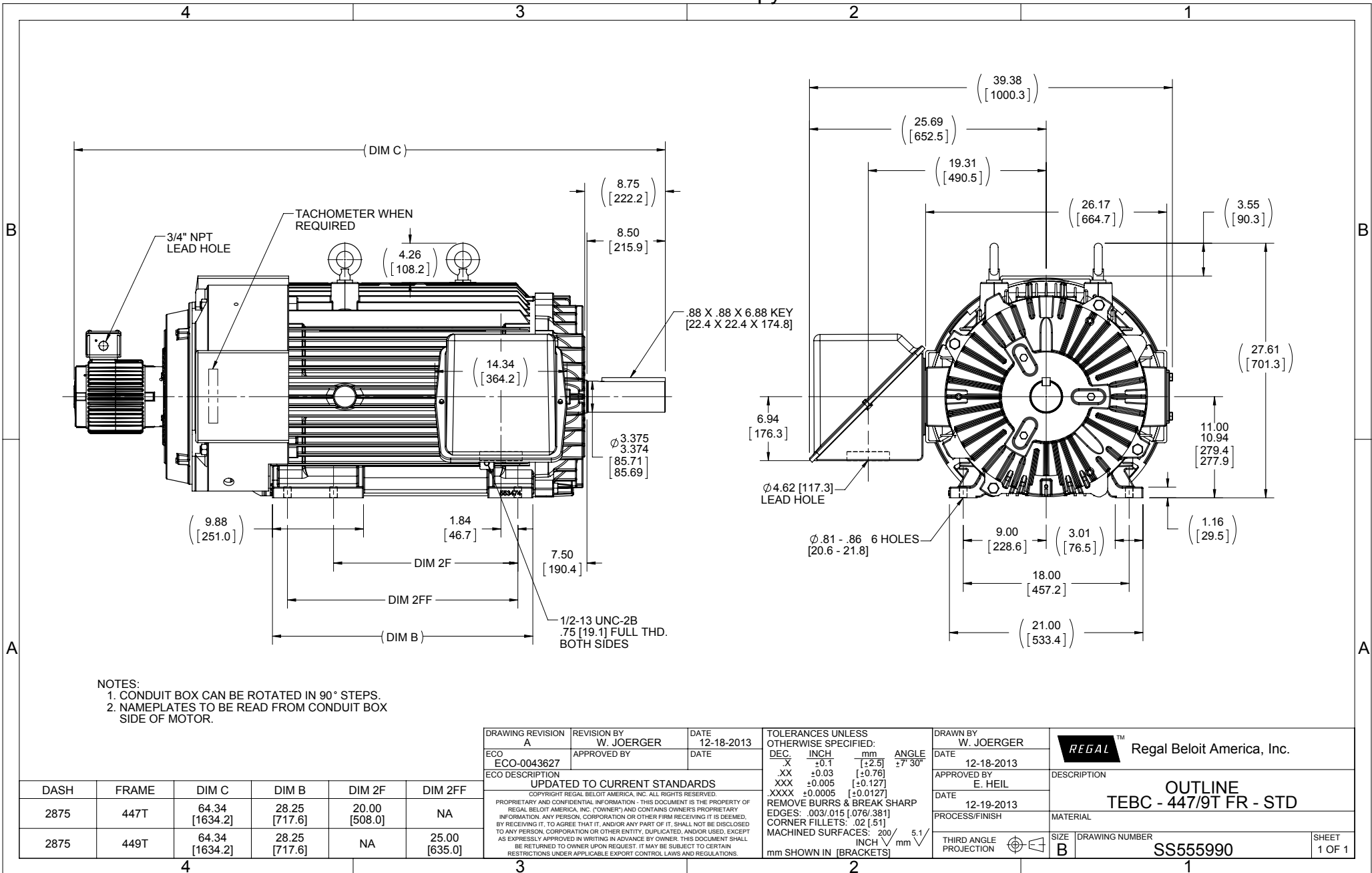
Nameplate Specifications

Output HP	300 Hp	Output KW	224.0 kW
Frequency	60 Hz	Voltage	460 V
Current	327.0 A	Speed	1785 rpm
Service Factor	1	Phase	3
Efficiency	95.4 %	Power Factor	90
Duty	Continuous	Insulation Class	H
Design Code	INV	KVA Code	H
Frame	447/449T	Enclosure	Totally Enclosed Blower cooled - Axial
Thermal Protection	Thermostats (N/C)	Ambient Temperature	40 °C
Drive End Bearing Size	6319	Opp Drive End Bearing Size	6318
UL	Recognized	CSA	Y
CE	Y	IP Code	43

Technical Specifications

Electrical Type	Squirrel Cage Inverter Duty	Starting Method	Inverter Only
Poles	4	Rotation	Reversible
Resistance Main	.011 Ohms	Mounting	Rigid base
Motor Orientation	Horizontal	Drive End Bearing	Ball
Opp Drive End Bearing	Ball	Frame Material	Cast Iron
Shaft Type	T	Overall Length	64.34 in
Frame Length	28.75 in	Shaft Diameter	3.375 in
Shaft Extension	8.75 in	Assembly/Box Mounting	F1/F2 CAPABLE
Outline Drawing	B-SS555990-2875	Connection Drawing	A-EE7300T

This is an uncontrolled document once printed or downloaded and is subject to change without notice. Date Created:05/05/2020



- NOTES:
 1. CONDUIT BOX CAN BE ROTATED IN 90° STEPS.
 2. NAMEPLATES TO BE READ FROM CONDUIT BOX SIDE OF MOTOR.

DASH	FRAME	DIM C	DIM B	DIM 2F	DIM 2FF
2875	447T	64.34 [1634.2]	28.25 [717.6]	20.00 [508.0]	NA
2875	449T	64.34 [1634.2]	28.25 [717.6]	NA	25.00 [635.0]

DRAWING REVISION A	REVISION BY W. JOERGER	DATE 12-18-2013
ECO ECO-0043627	APPROVED BY	DATE
ECO DESCRIPTION UPDATED TO CURRENT STANDARDS		
<small>COPYRIGHT REGAL BELOIT AMERICA, INC. ALL RIGHTS RESERVED. PROPRIETARY AND CONFIDENTIAL INFORMATION - THIS DOCUMENT IS THE PROPERTY OF REGAL BELOIT AMERICA, INC. (OWNER) AND CONTAINS OWNER'S PROPRIETARY INFORMATION. ANY PERSON, CORPORATION OR OTHER FIRM RECEIVING IT IS DEEMED, BY RECEIVING IT, TO AGREE THAT IT, AND/OR ANY PART OF IT, SHALL NOT BE DISCLOSED TO ANY PERSON, CORPORATION OR OTHER ENTITY, DUPLICATED, AND/OR USED, EXCEPT AS EXPRESSLY APPROVED IN WRITING IN ADVANCE BY OWNER. THIS DOCUMENT SHALL BE RETURNED TO OWNER UPON REQUEST. IT MAY BE SUBJECT TO CERTAIN RESTRICTIONS UNDER APPLICABLE EXPORT CONTROL LAWS AND REGULATIONS.</small>		

TOLERANCES UNLESS OTHERWISE SPECIFIED:			
DEC.	INCH	mm	ANGLE
.X	±0.1	[±2.5]	±7° 30'
.XX	±0.03	[±0.76]	
.XXX	±0.005	[±0.127]	
.XXXX	±0.0005	[±0.0127]	
REMOVE BURRS & BREAK SHARP			
EDGES: .003/.015 [0.076/.381]			
CORNER FILLETS: .02 [51]			
MACHINED SURFACES: $\frac{200}{\text{INCH}}$ $\frac{5.1}{\text{mm}}$			
mm SHOWN IN [BRACKETS]			

DRAWN BY W. JOERGER
DATE 12-18-2013
APPROVED BY E. HEIL
DATE 12-19-2013
PROCESS/FINISH
THIRD ANGLE PROJECTION

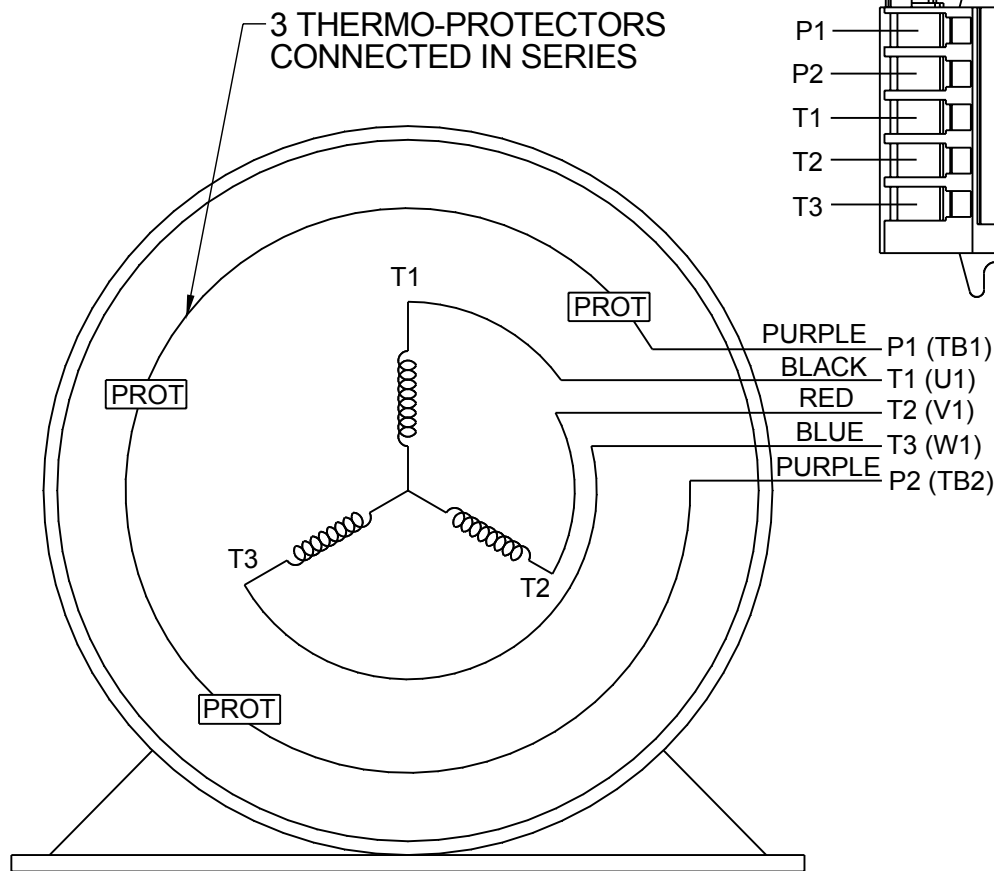
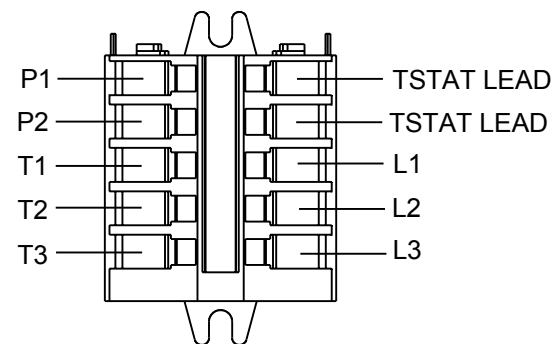
Regal Beloit America, Inc.	
DESCRIPTION OUTLINE TEBC - 447/9T FR - STD	
MATERIAL	
SIZE B	DRAWING NUMBER SS555990
SHEET 1 OF 1	

**THREE PHASE - SINGLE VOLTAGE
MOTOR - CONDUIT BOX @ 'A'**

**TO REVERSE ROTATION:
INTERCHANGE ANY TWO LINE
LEAD CONNECTIONS**

**NOTE FOR FACTORY USE ONLY:
TO SURGE TEST:
FOR 3 LEAD COMMON CONNECT:
CONNECT P1 TO T1 THEN P2 TO L1
FOR 6 LEAD COMMON CONNECT:
CONNECT P1 TO BOTH T1
THEN P2 TO L1**

TERMINAL BLOCK WHEN SPECIFIED

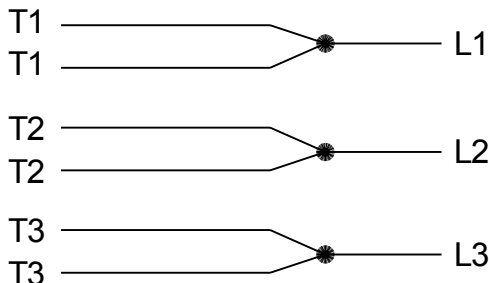


- PURPLE P1 (TB1)
- BLACK T1 (U1)
- RED T2 (V1)
- BLUE T3 (W1)
- PURPLE P2 (TB2)

- T2BM
- T6AW
- T6AL
- T6Z
- T4EG
- T4BF
- T8A
- T6H
- T6A
- T4AX
- T4A
- T2A
- T2F

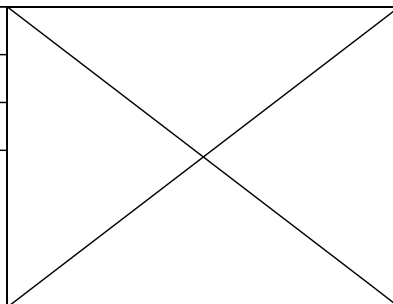
VIEW OF TERMINAL END

**IF MOTOR HAS MULTIPLE
T'S PER LEAD CONNECT
TOGETHER LIKE T'S**



A-9806 DECAL

DRAWING REVISION AB	REVISION BY AJW	DATE 07-17-2015
ECO ECO-0081632	APPROVED BY T.VUE	DATE 07-17-2015
ECO DESCRIPTION REV'D IEC MARKINGS PER IEC-60034-8		
<small>COPYRIGHT REGAL BELOIT AMERICA, INC. ALL RIGHTS RESERVED. PROPRIETARY AND CONFIDENTIAL INFORMATION - THIS DOCUMENT IS THE PROPERTY OF REGAL BELOIT AMERICA, INC. ("OWNER") AND CONTAINS OWNER'S PROPRIETARY INFORMATION. ANY PERSON, CORPORATION OR OTHER FIRM RECEIVING IT IS DEEMED, BY RECEIVING IT, TO AGREE THAT IT, AND/OR ANY PART OF IT, SHALL NOT BE DISCLOSED TO ANY PERSON, CORPORATION OR OTHER ENTITY, DUPLICATED, AND/OR USED, EXCEPT AS EXPRESSLY APPROVED IN WRITING IN ADVANCE BY OWNER. THIS DOCUMENT SHALL BE RETURNED TO OWNER UPON REQUEST. IT MAY BE SUBJECT TO CERTAIN RESTRICTIONS UNDER APPLICABLE EXPORT CONTROL LAWS AND REGULATIONS.</small>		



DRAWN BY LZ	Regal Beloit America, Inc.	
DATE 01-04-1994		
APPROVED BY GK	DESCRIPTION CONN DIAGRAM-EXTERNAL 3Ø-SINGLE VOLT-MOTOR WITH PROTECTOR	
DATE 01-20-1994	MATERIAL	
REFERENCE	PROCESS/FINISH	
THIRD ANGLE PROJECTION	SIZE A	DRAWING NUMBER EE7300T
		SHEET 1 OF 1

NONE	NONE		
NONE FT-LB	NONE V	NONE Hz	

DATE: 06/21/2017 06:39:51 AM
FORM 3531 REV.3 02/07/99
** Subject to change without notice.

Data Sheet

Date: 15-06-2017
 Customer: _____
 Attention: _____
 Submitted by: FAREEDA DUDEKULA



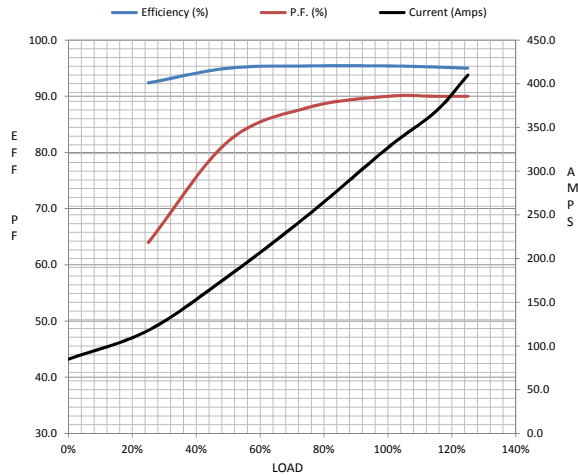
449THFS8047

Submittal

Data @ 460 V

Motor Load Data									
Load	0%	25%	50%	75%	100%	115%	125%	LR	
Current (Amps)	85.0	118	180	250	327	369	410	2,350	
Torque (ft-lb)	0.00	220	440	661	883	995	1,106	1,225	
RPM	1800	1796	1792	1788	1785	1,783	1780	0	
Efficiency (%)		92.4	95.0	95.4	95.4	95.2	95.0		
P.F. (%)	6.0	64.0	82.0	88.0	90.0	90.0	90.0	22.0	

Motor Speed Data						Information Block	
	LR	Pull-Up	BD	Rated	Idle		
Speed (RPM)	0	900	1715	1785	1800	HP	300.0
Current (Amps)	2,350	2,100	1,650	327	85.0	Sync. RPM	1800
Torque (ft-lb)	1,225	1,075	2,475	883	0.00	Frame	449
						Enclosure	TEBC
						Construction	TBN
						Voltage	460 V
						Frequency	60 Hz
						Design	A
						LR Code letter	H
						Service Factor	1.15
						Temp Rise @ FL	80 ° C
						Duty	CONT
						Ambient	40 ° C
						Elevation	1,000 feet
						Rotor/Shaft wk²	87.0 Lb-Ft²
						Ref Wdg	T449470 NONE
						Sound Pressure @ 1M	88 dBA
						VFD Rating	CONSTANT 2000:1
						Outline Dwg	B-SS55990-2875
						Conn. Diag	A-EE7300T



HP	300.0			
Sync. RPM	1800			
Frame	449			
Enclosure	TEBC			
Construction	TBN			
Voltage	460 V			
Frequency	60 Hz			
Design	A			
LR Code letter	H			
Service Factor	1.15			
Temp Rise @ FL	80 ° C			
Duty	CONT			
Ambient	40 ° C			
Elevation	1,000 feet			
Rotor/Shaft wk²	87.0 Lb-Ft²			
Ref Wdg	T449470 NONE			
Sound Pressure @ 1M	88 dBA			
VFD Rating	CONSTANT 2000:1			
Outline Dwg	B-SS55990-2875			
Conn. Diag	A-EE7300T			
Additional Specifications:				
0				
365THFS8036				
EQUIV CKT (OHMS / PHASE)				
R1	R2	X1	X2	Xm
0.0090	0.0070	0.0920	0.0750	3.0870

